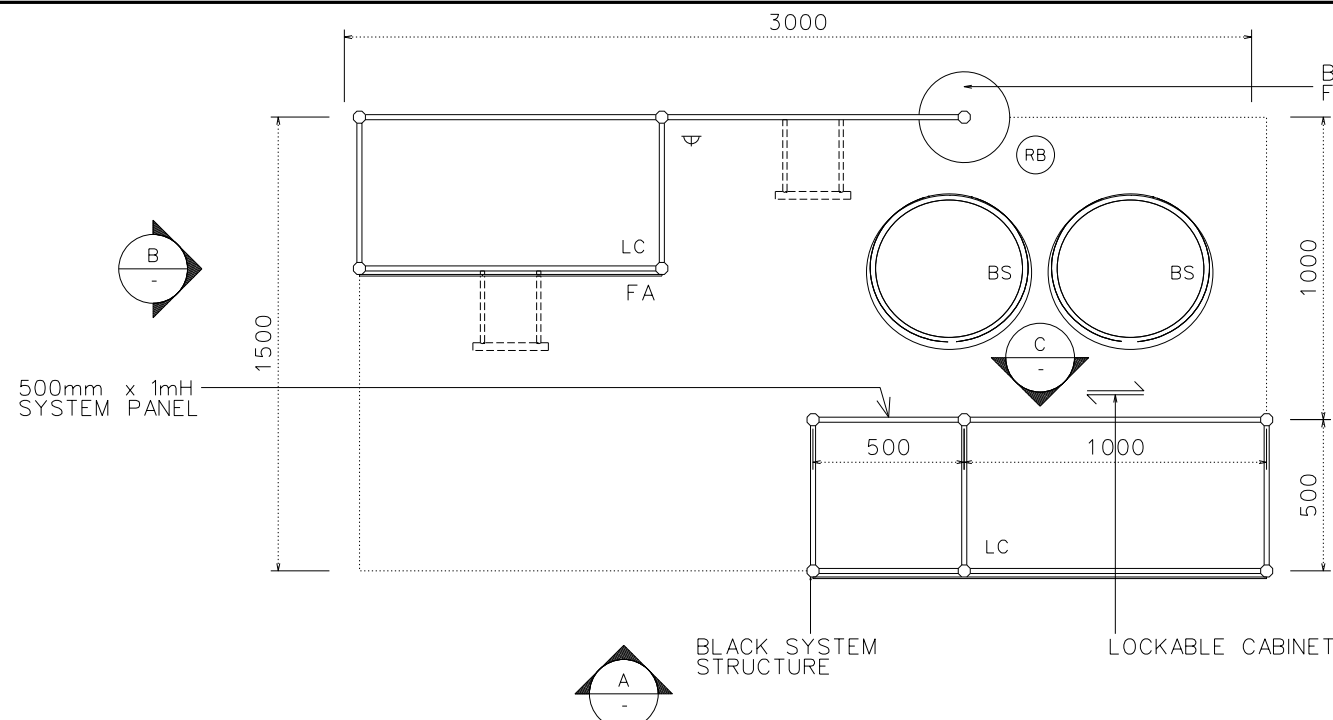


COFFEE BOOTH

BOOTH FACILITIES

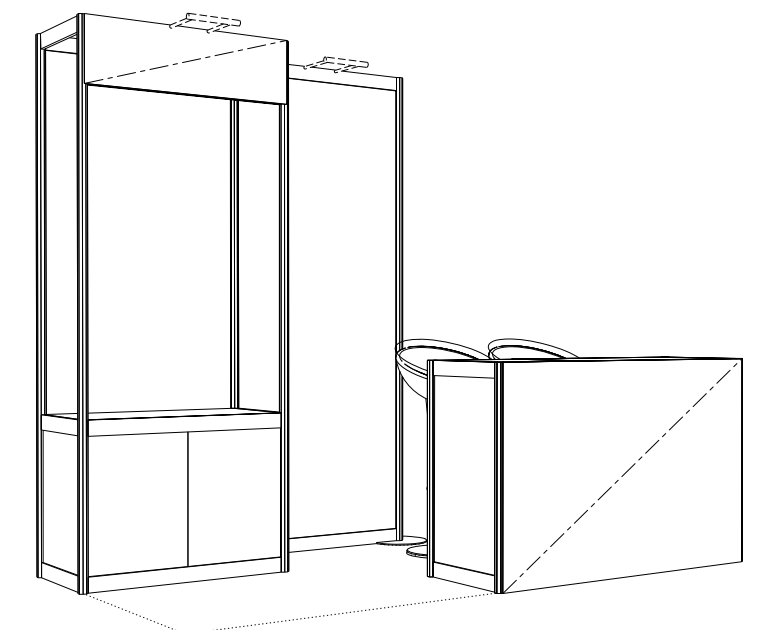
LEGEND	DESCRIPTION	QTY
	LED GILBERT LAMP	2
	LOCKABLE CABINET	2
	GREY BAR STOOL	2
	800W POWER SOCKET	1
	FASCIA 1000W X 300mmH	1
	RUBBISH BIN	1



TOP VIEW

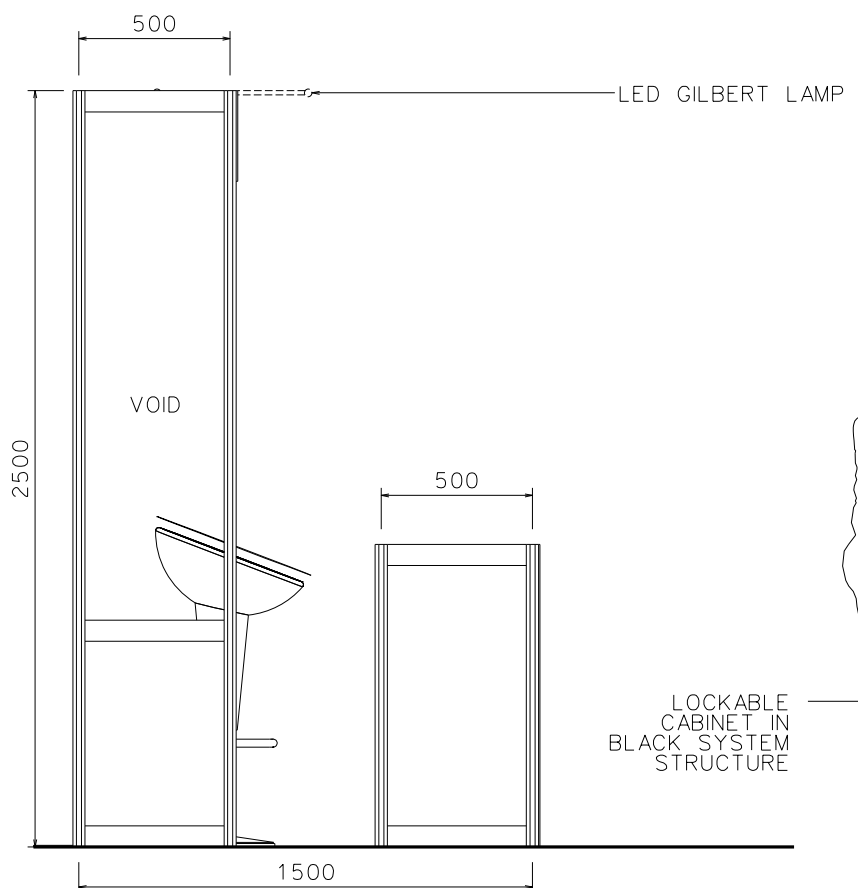
950mmW x 1430mmH

950mmW x 2340mmH

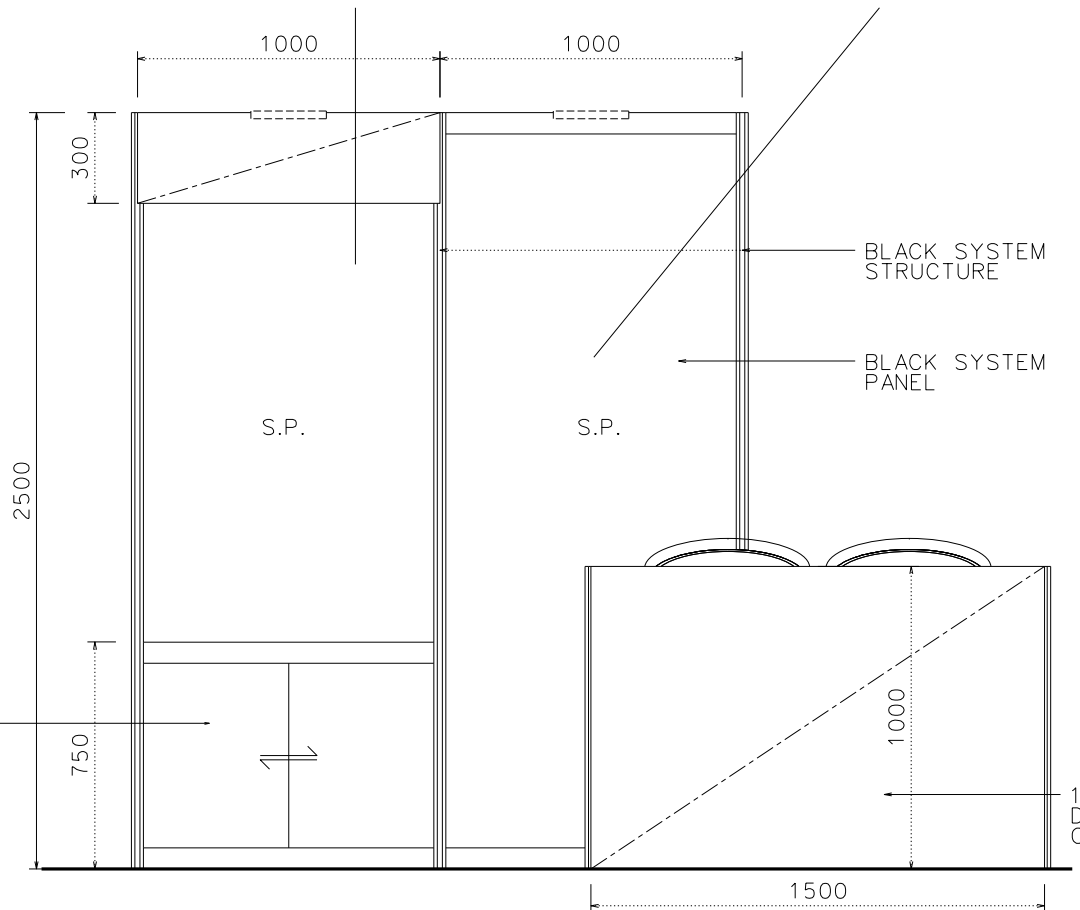


PERSPECTIVE

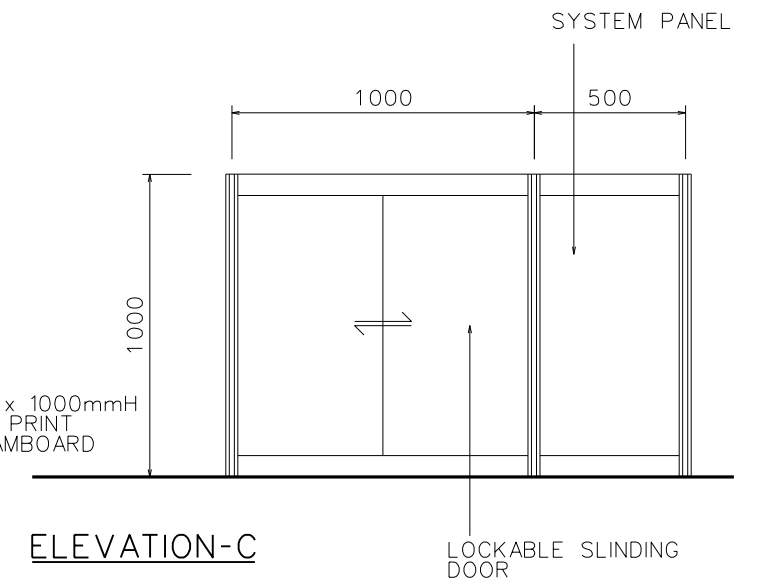
(FOR REFERENCE ONLY
STRUCTURE REFER TO DETAIL DWG)



SIDE ELEVATION-B



FRONT ELEVATION-A



ELEVATION-C

FILE PATH - I:\2025p\0814 FOOD EXPO PRO_25\dgn\F02_Coffee_Booth.dgn



NOTES UNLESS OTHERWISE SPECIFIED ALL DIMENSIONS ARE IN MM.	
.....
.....
.....

REVISION
.....

DATE:	05/02/2025
SCALE:	1 : 25 (A3)
DRAWN BY:	KT
CHECKED BY:	.

TITLE	COFFEE BOOTH
-------	--------------

PROJECT	FOOD EXPO PRO 2025
DATE:	14-16 AUG 2025

SHEET	F02
-------	-----