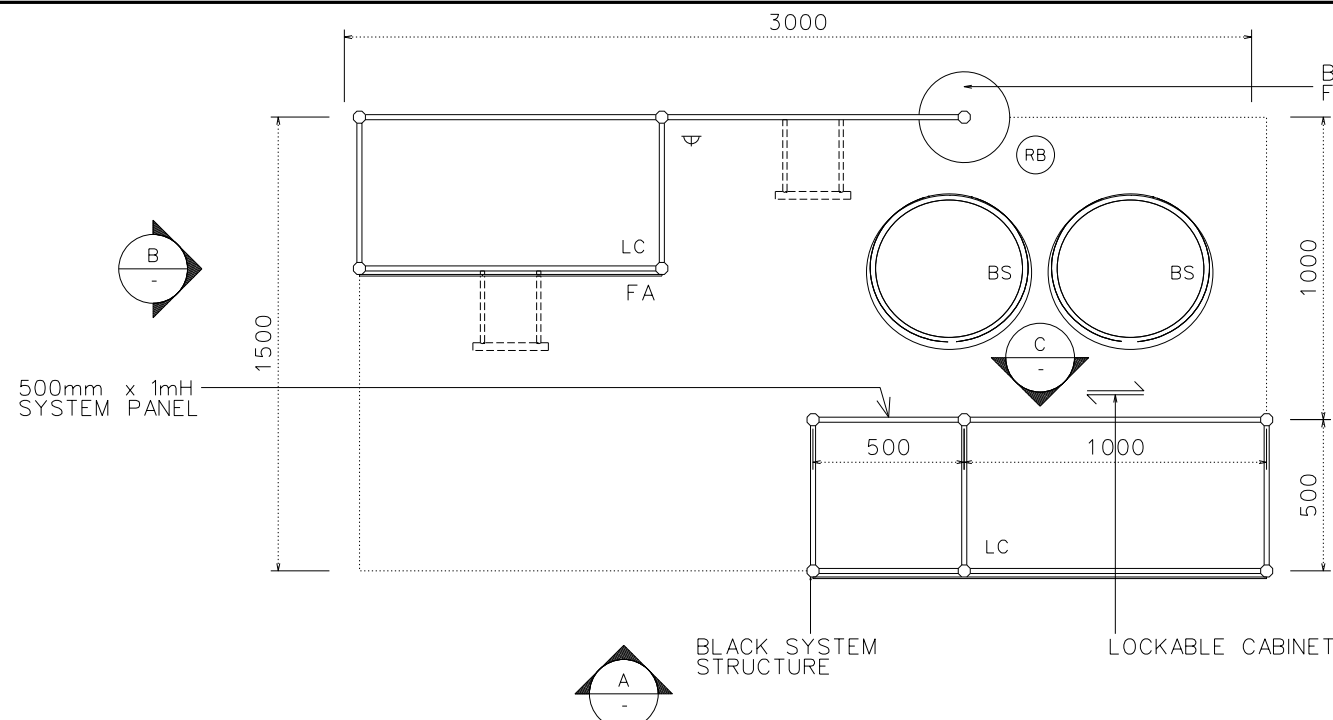


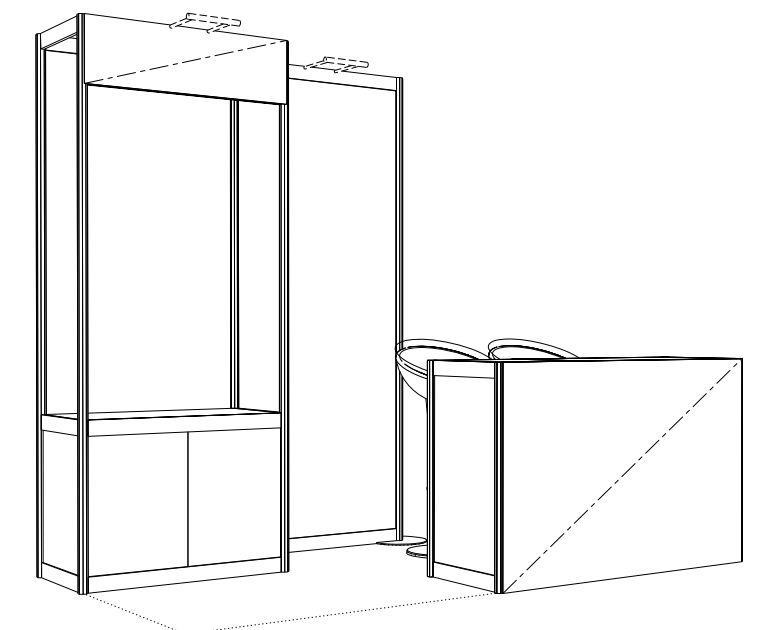
START-UP PLUS (TECH)

BOOTH FACILITIES

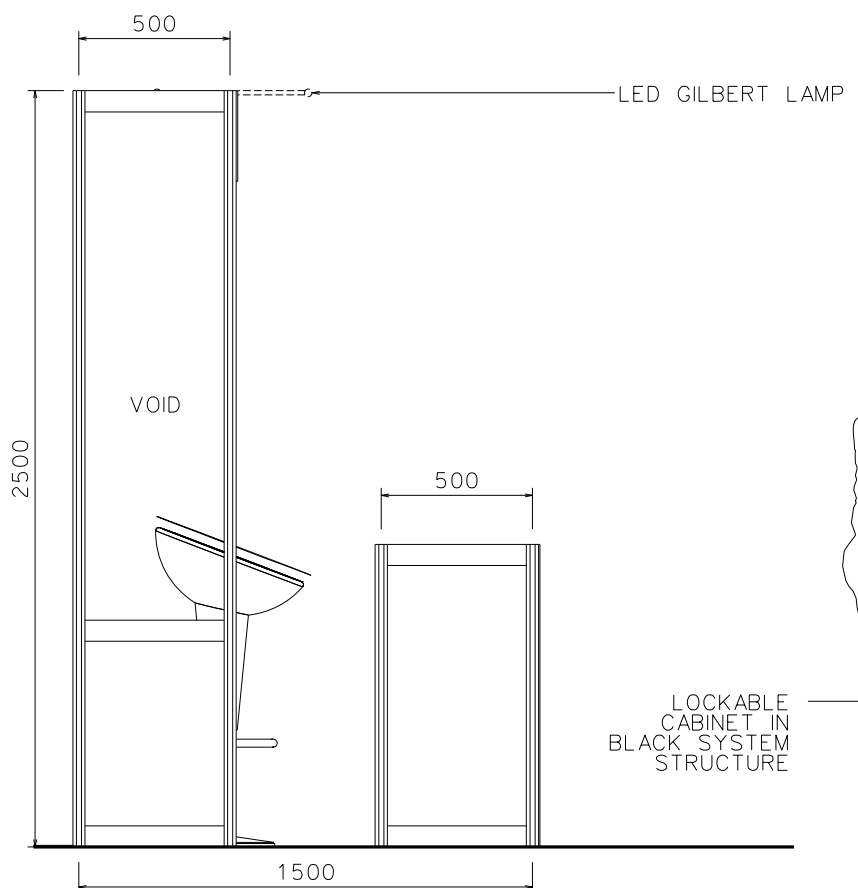
LEGEND	DESCRIPTION	QTY
	LED GILBERT LAMP	2
	LOCKABLE CABINET	2
	GREY BAR STOOL	2
	800W POWER SOCKET	1
	FASCIA 1000W X 300mmH	1
	RUBBISH BIN	1



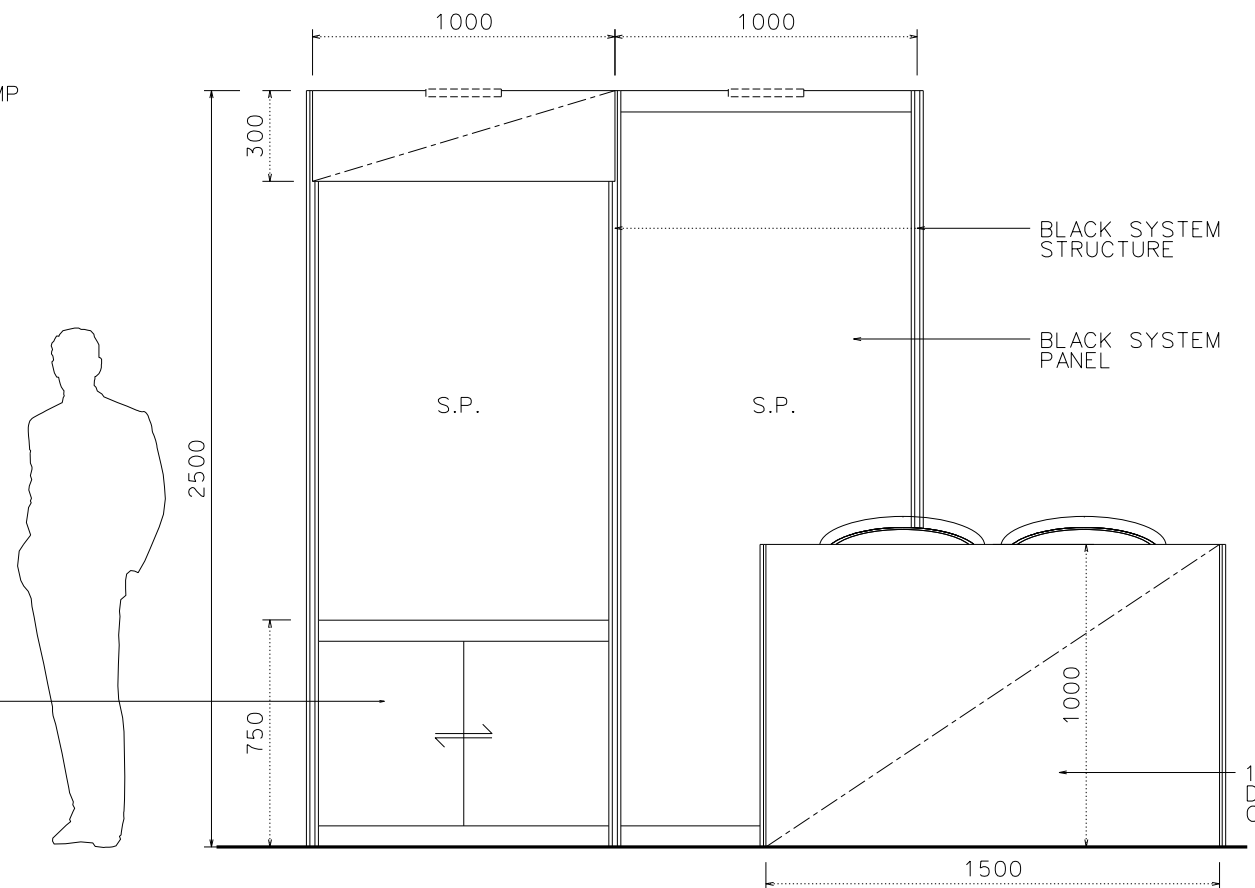
TOP VIEW



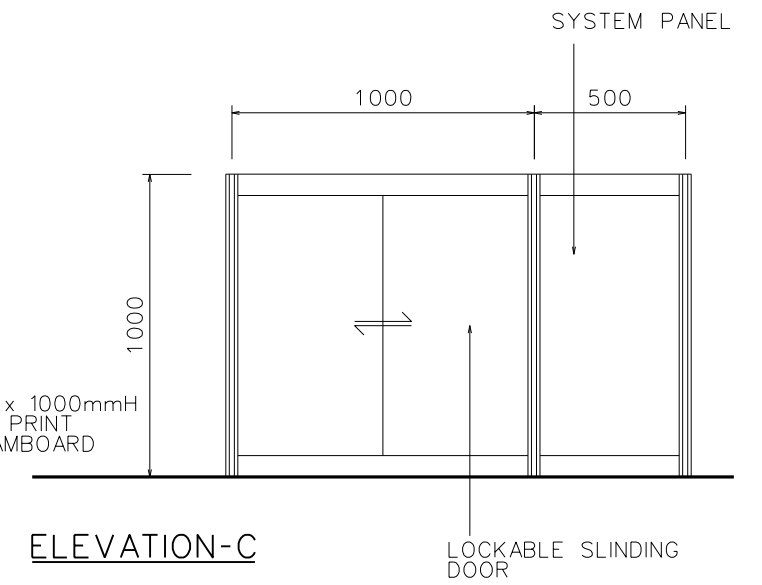
PERSPECTIVE
(FOR REFERENCE ONLY
STRUCTURE REFER TO DETAIL DWG)



SIDE ELEVATION-B



FRONT ELEVATION-A



ELEVATION-C

FILE PATH - I:\2023p\0516_Medical\DGN\StartUpPlus_tech.dgn



NOTES UNLESS OTHERWISE SPECIFIED ALL DIMENSIONS ARE IN MM.	
.....
.....
.....

REVISION
.....

DATE:	24/02/2023
SCALE:	1 : 25 (A3)
DRAWN BY:	ICE
CHECKED BY:	.

TITLE	START-UP PLUS (TECH)
-------	----------------------

PROJECT	HONG KONG INTERNATIONAL MEDICAL AND HEALTHCARE FAIR
DATE:	16-18 MAY 2023

SHEET	F02
-------	-----